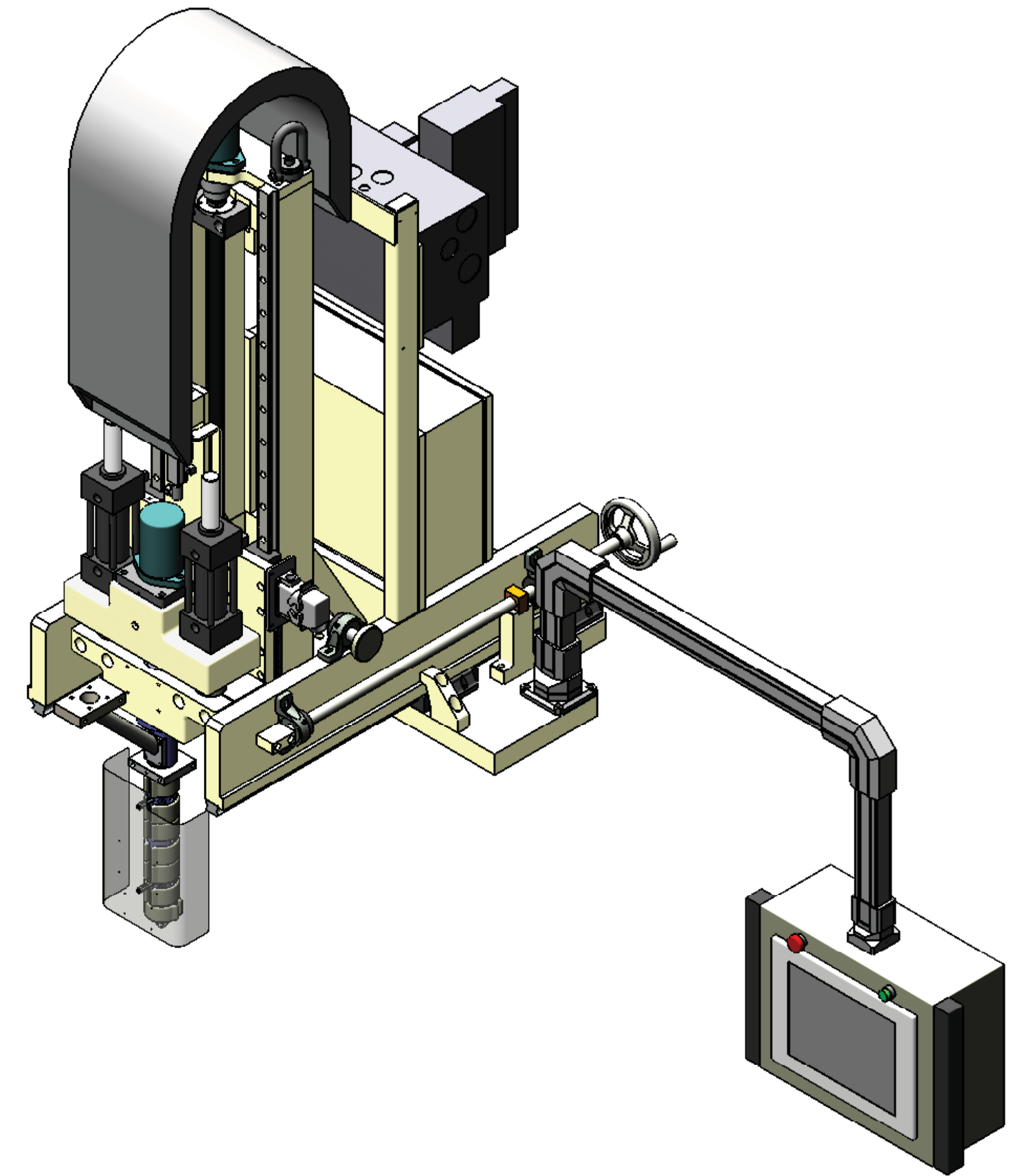
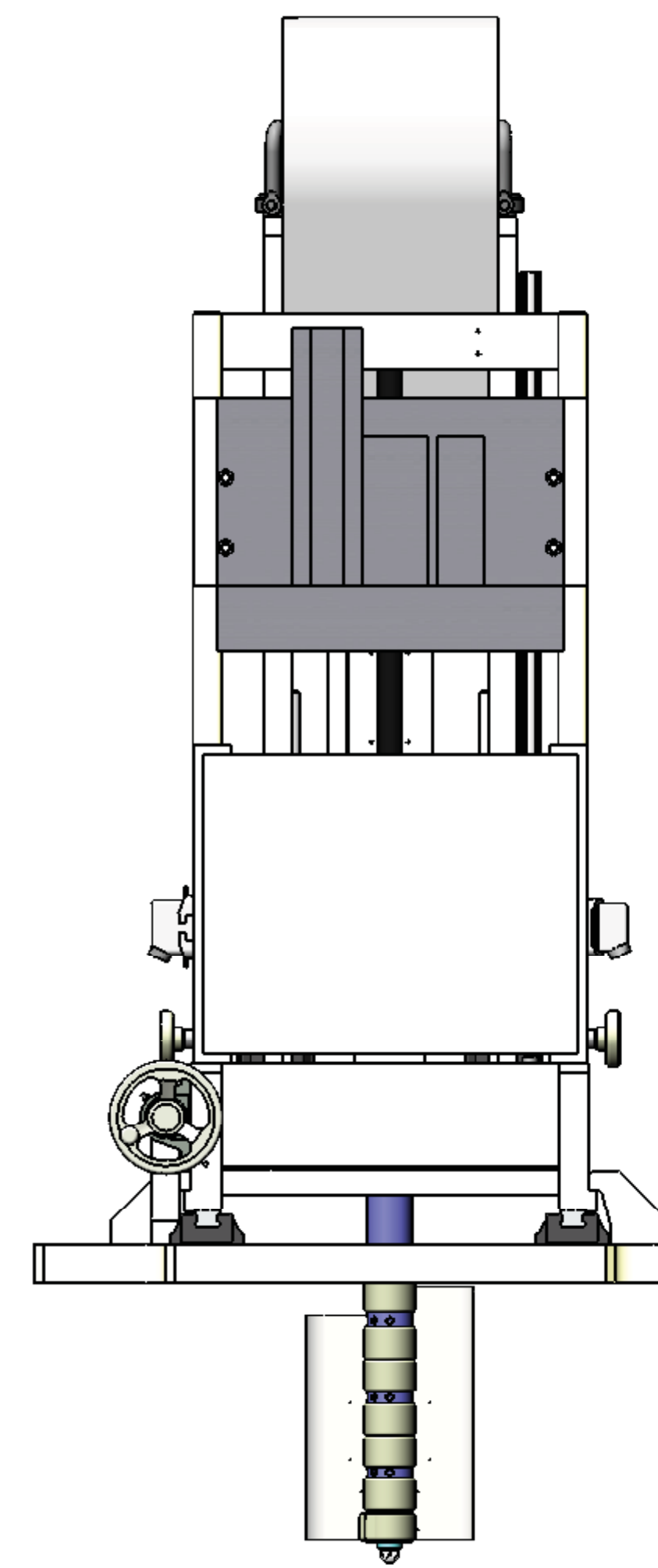
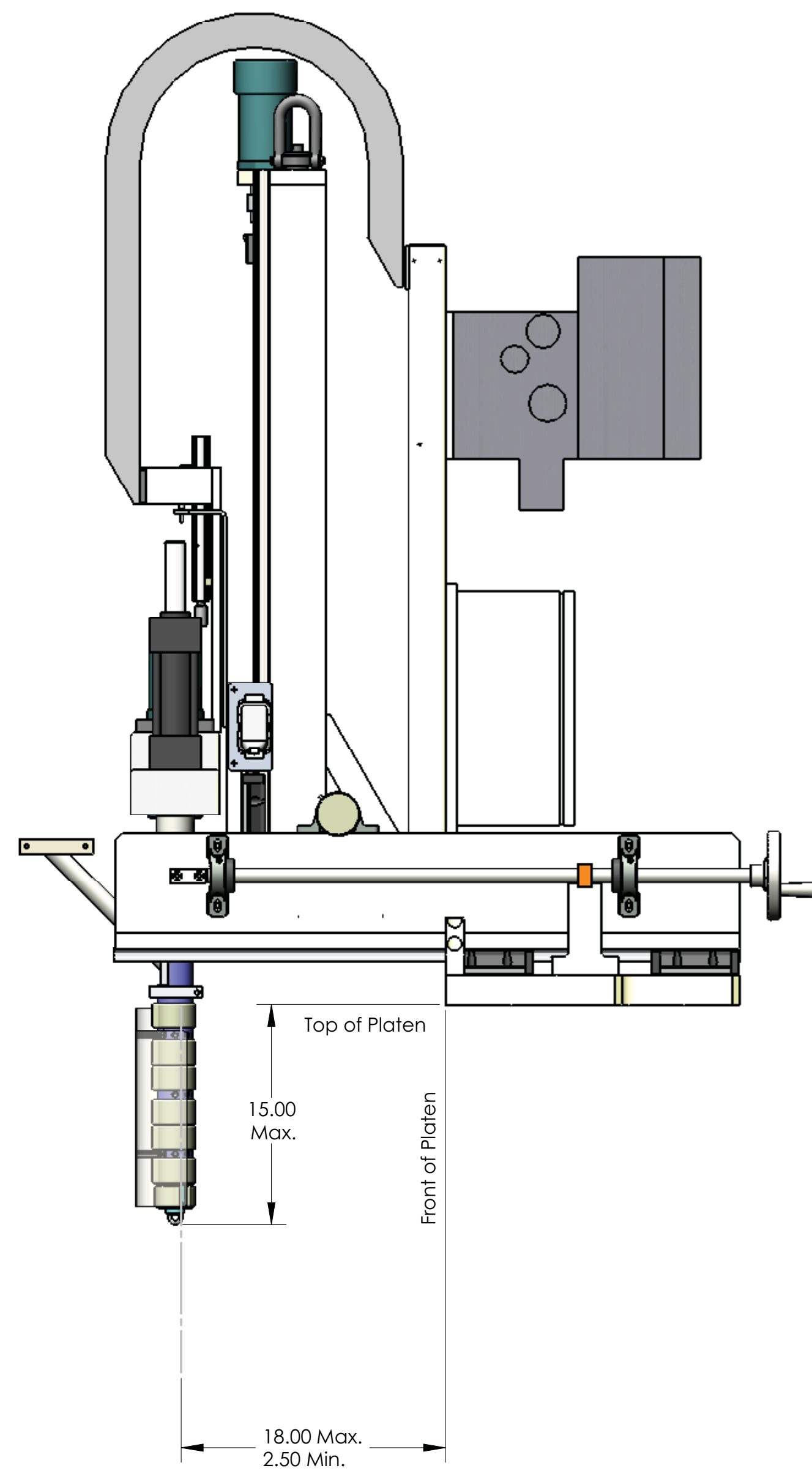


1.00 Max
Adjustment from Center

1.00 Max
Adjustment from Center



Fully Extended



UMS Portable Injection Units U.S. Patent 6,994,810 B2

W188 N11707 Maple Road
 Germantown, WI 53022 USA
 Phone: (262) 255-5790
 Fax: (262) 255-7206
 E-Mail: contact@mgstech.com

www.mgstech.com
www.multishot.com